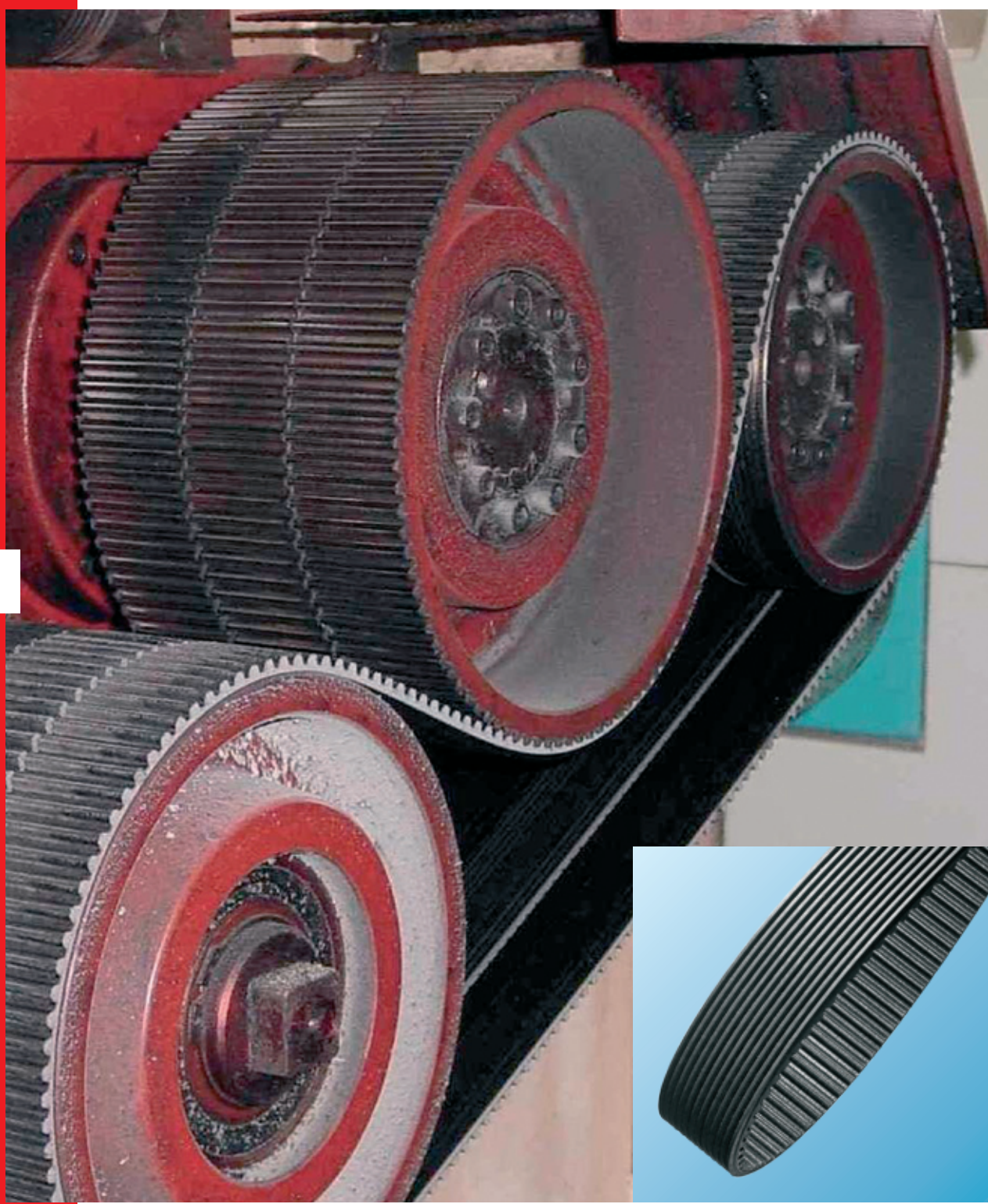


Products & Applications

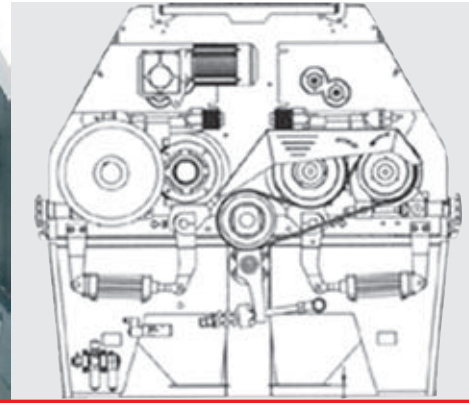
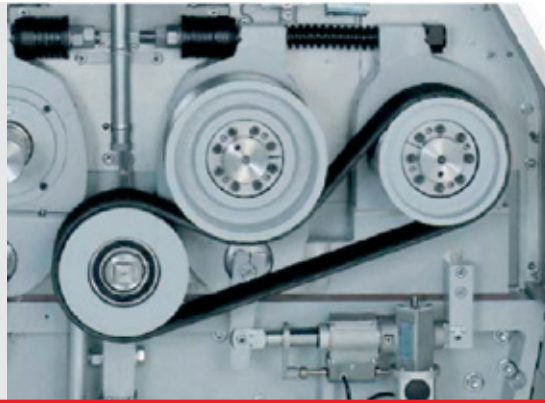
Mill Drives

Roller Mills

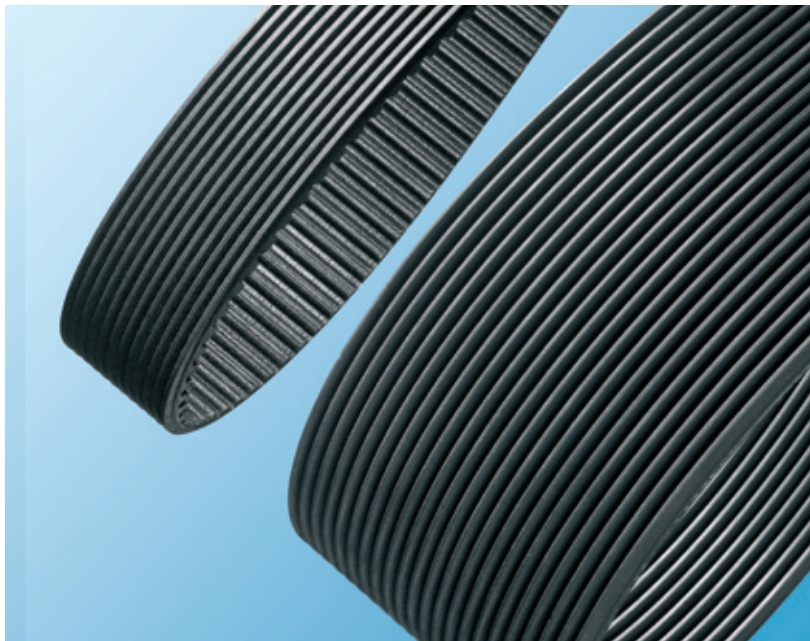
www.optibelt.com
optibelt



Drive solutions with Optibelt



optibelt *OMEGA Special*



Sections

8M or 14M with PK surface

Size

- 1760 8M-B 43/12PK
 - 1552 8M-B 43/12PK Aramid
 - 1552 8M-B 57/16PK Aramid
 - 1778 14M-B 43/12PK
 - 2400 8M-B 42/12PK
 - 1760 8M-B 135/38PK
 - 1552 8M-B 43/12PK
 - 1552 8M-B 57/16PK
 - 1552 8M-B 135/38PK
 - 1552 S8M 570/16PK Aramid
 - 1552 S8M 600/17PK Aramid
 - 1760 8M-B 128/35PK
 - or 22 DPL 1760 Aramid
- Other belt sizes available on request

Pulleys

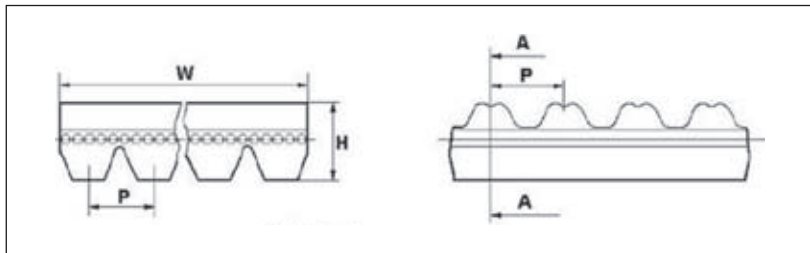
Timing belt pulleys HTD® or RPP® and ribbed belt pulleys section PK and PL

Applications

The Optibelt OMEGA timing belt with additional ribbed PK belt section on the backside of the belt is perfect for use in mills, e.g. food, corn, fruit and flour mills, where the backside pulley has a reversible direction and slipping is necessary when the drive blocks.

Advantage

The rubber compound filled with aramid fibres is very wear resistant. The PK section backside is moulded in one operation with the timing belt.



Example belt datas		RB-PK	OMEGA 8M
No. of ribs		12	
Pitch	P [mm]	3.56 +/- 0.15	8
Belt width	W [mm]	42.7 +/- 0.8	42.7 +/- 0.8
Overall thickness	H [mm]		7.8 +/- 0.2

